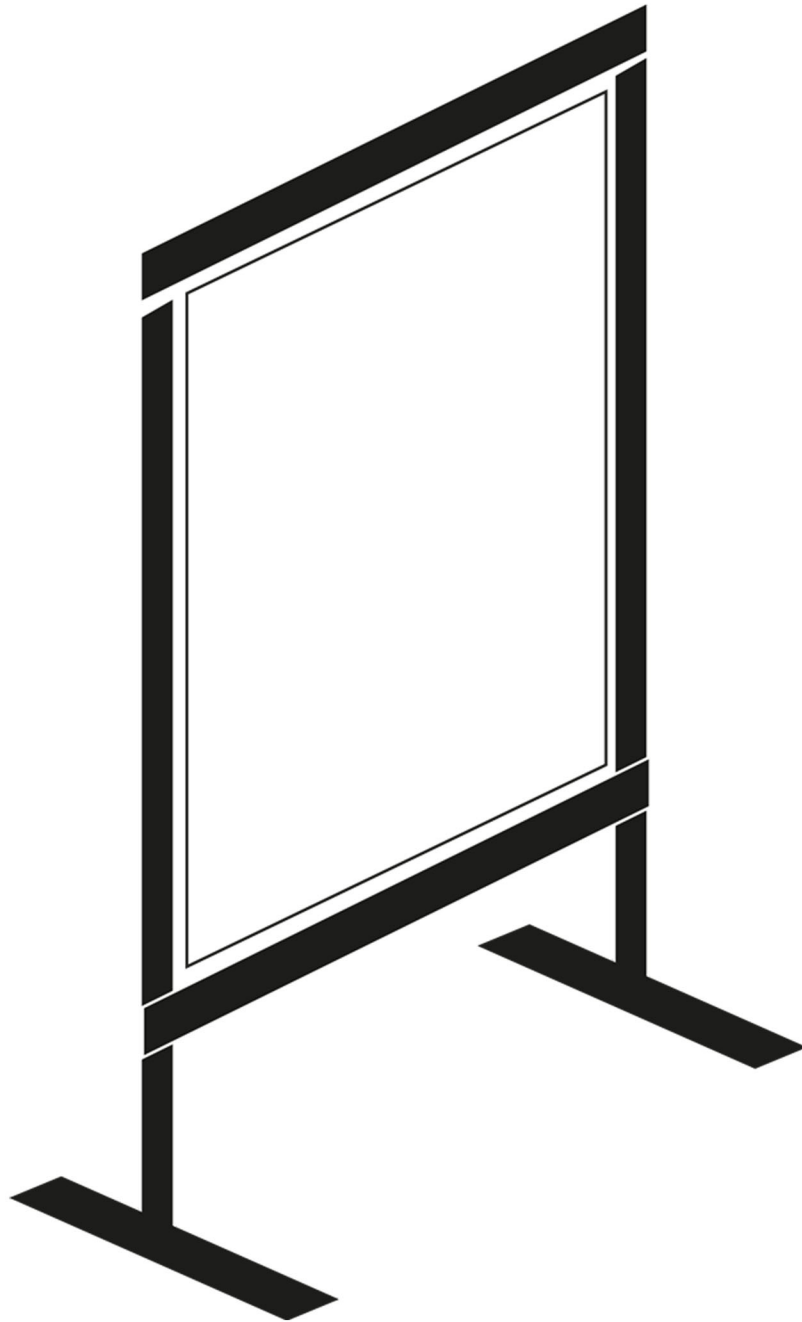




LOSBERGER DE BOER



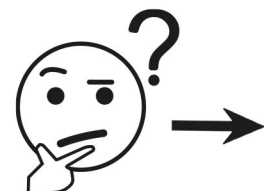
# ScreenFlex

Écran de protection / Protection screen / Schutz-Trennwände

[ldbshop.com](http://ldbshop.com)

[contact@ldbshop.com](mailto:contact@ldbshop.com)

+33 (0)3 88 59 34 00





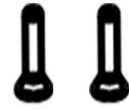
15min



LOSBERGER DE BOER



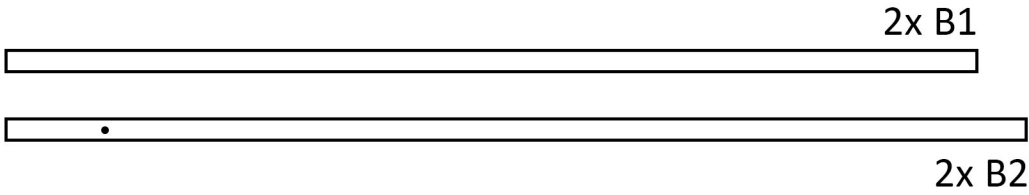
2x A1



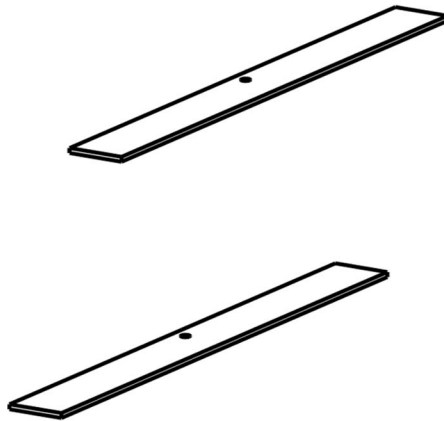
2x V2



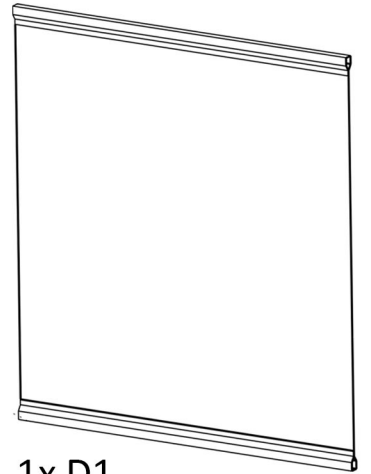
2x V1



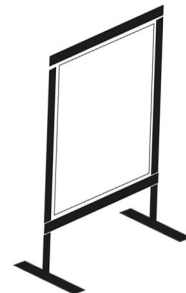
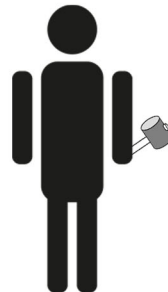
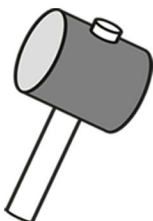
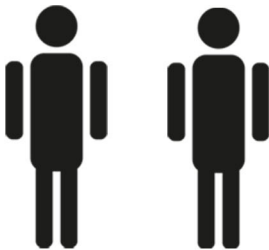
4x A3

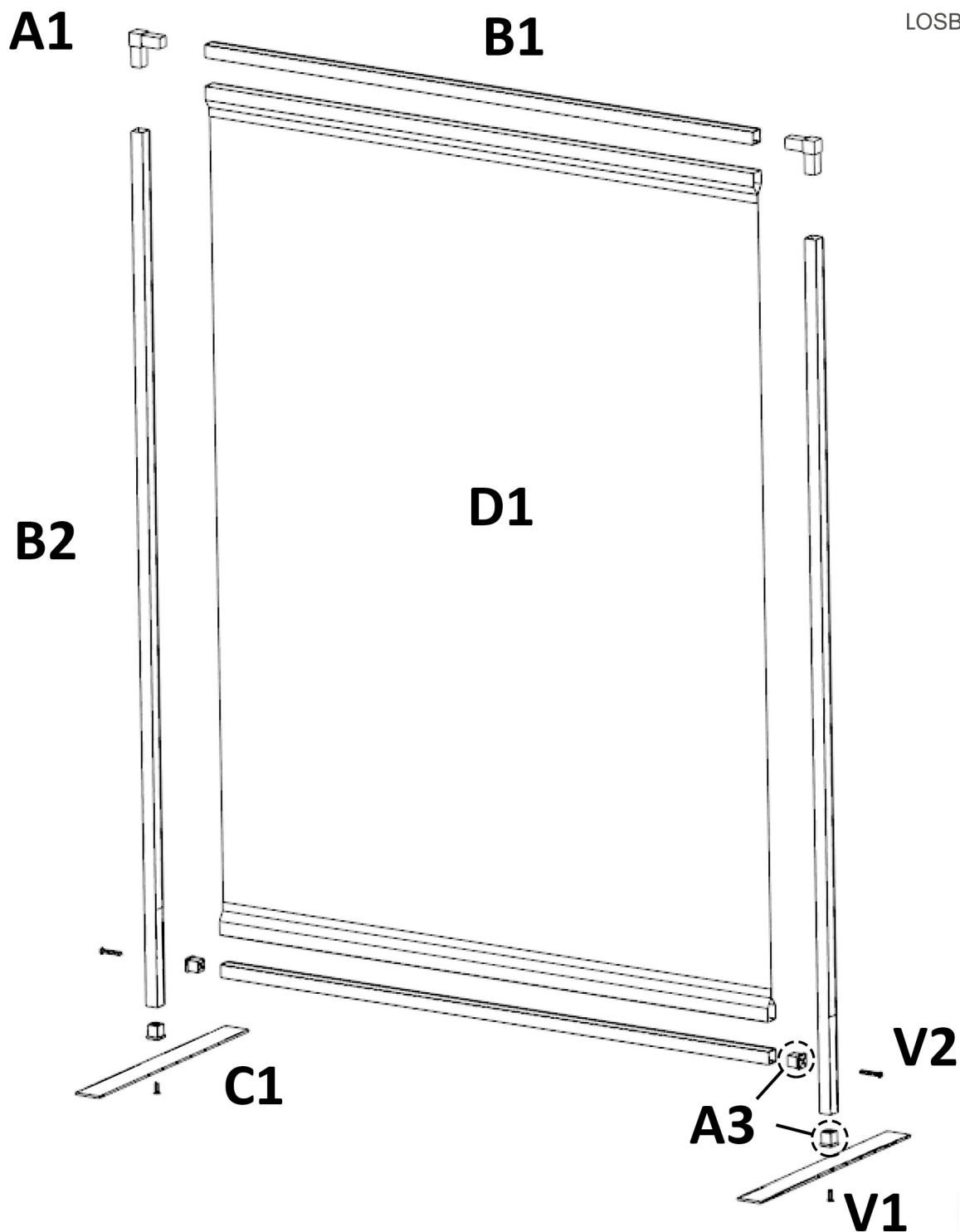


2x C1



1x D1

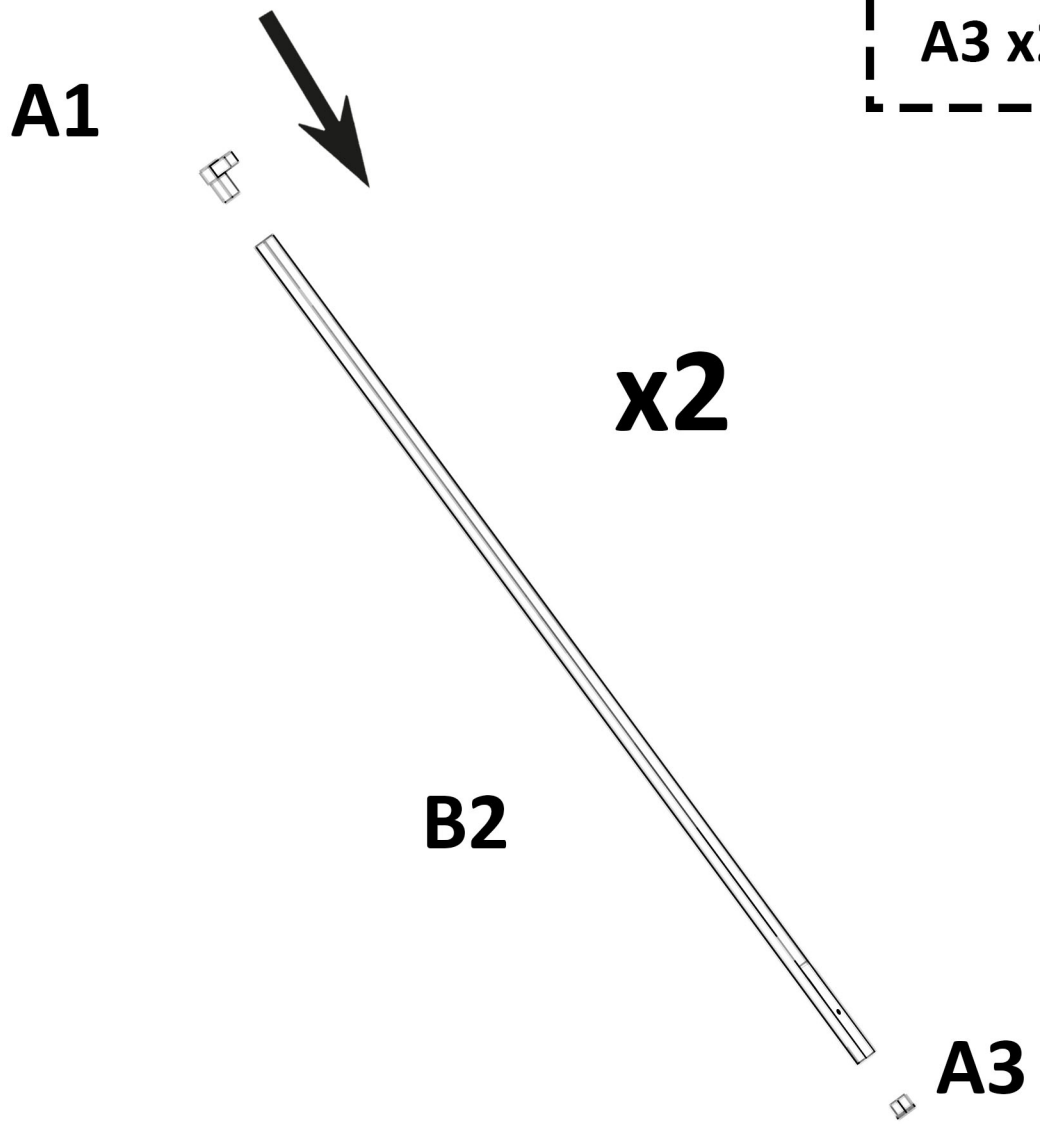




EP.200.140.9005	Ht.2,00m x l.1,40m
EP.200.070.9005	Ht.2,00m x l.0,70m
EP.160.140.9005	Ht.1,60m x l.1,40m
EP.160.070.9005	Ht.1,60m x l.0,70m

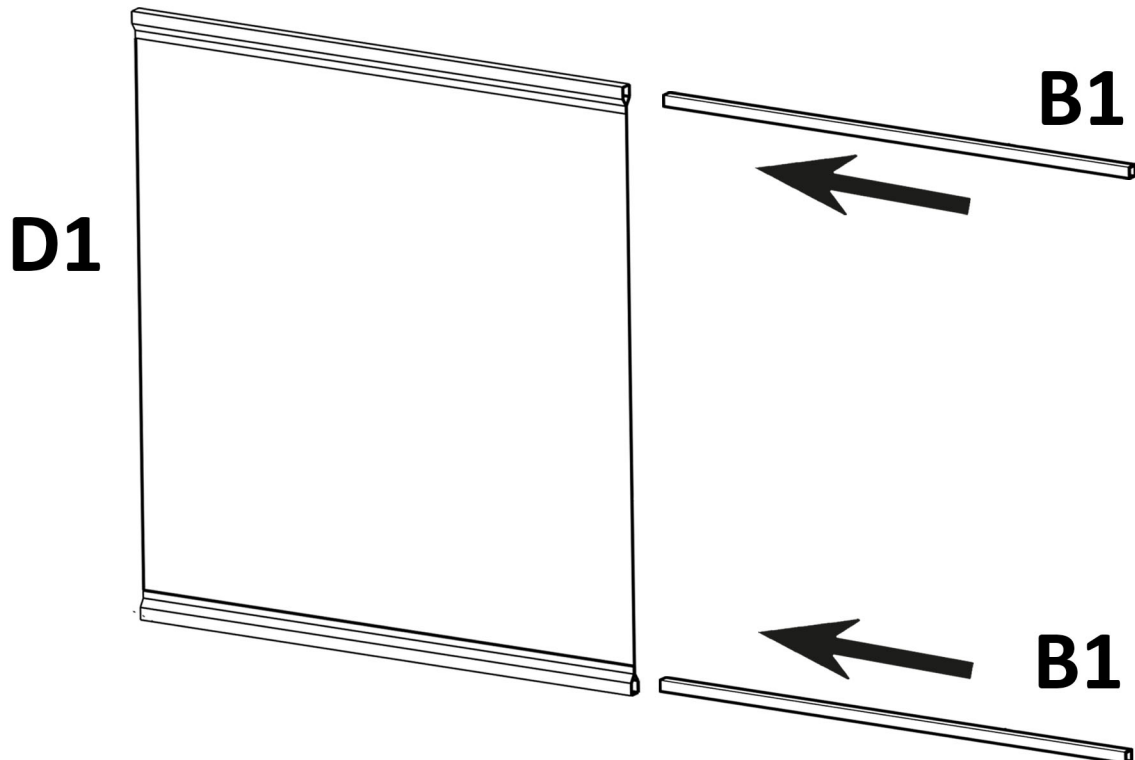
1

- A1 x2
- B2 x2
- A3 x2



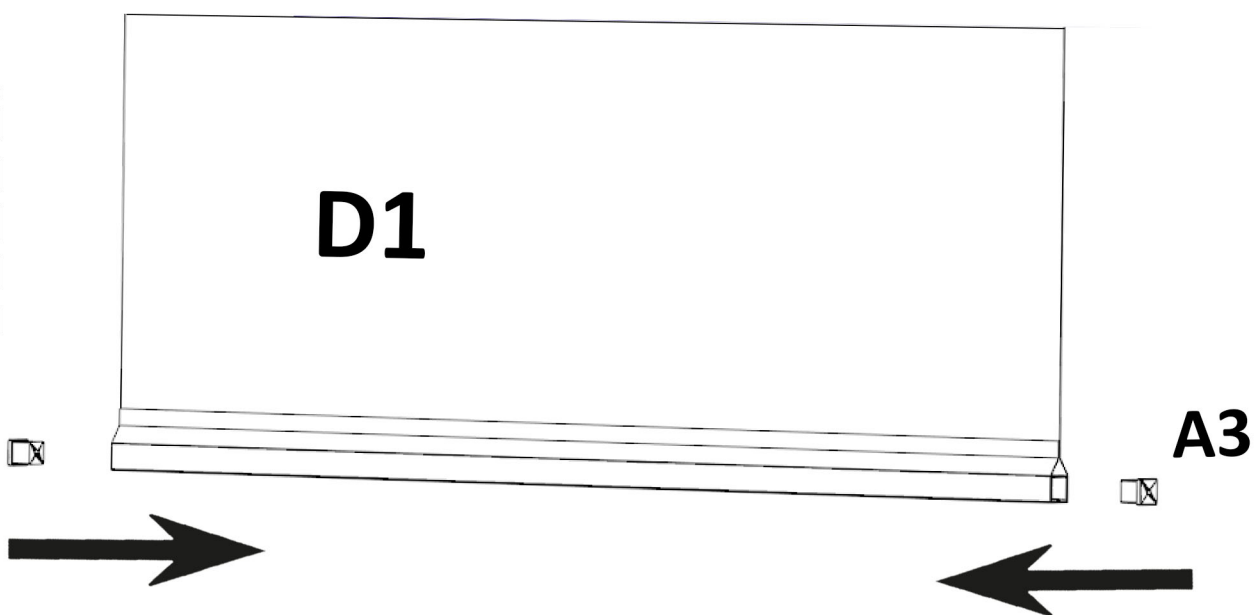


**2**



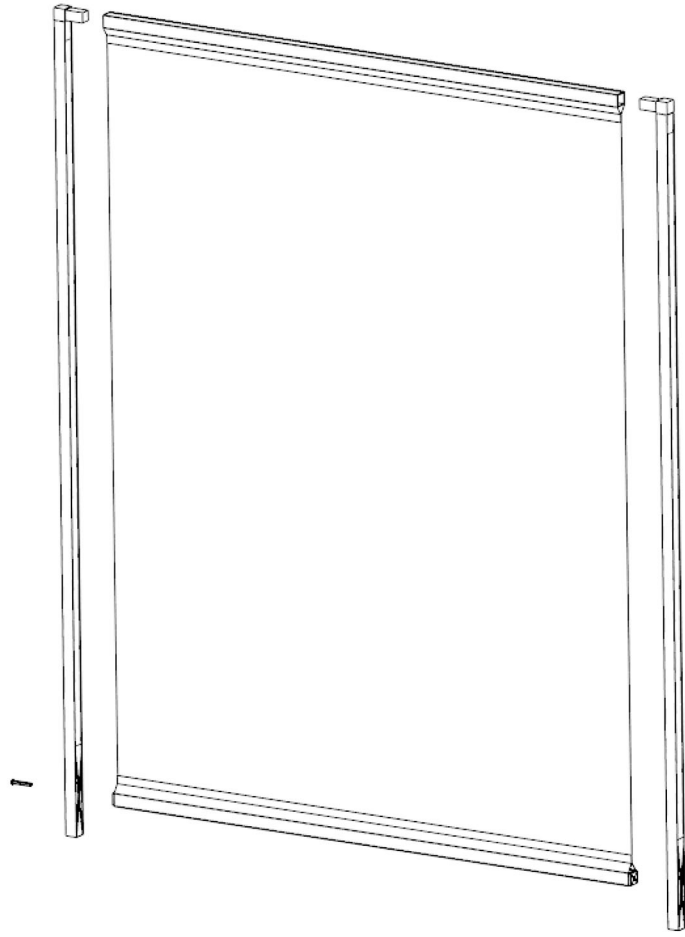
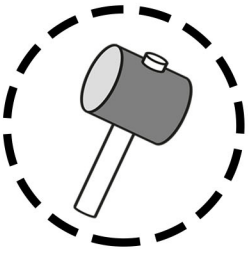
**3**

**D1**  
**A3 x2**



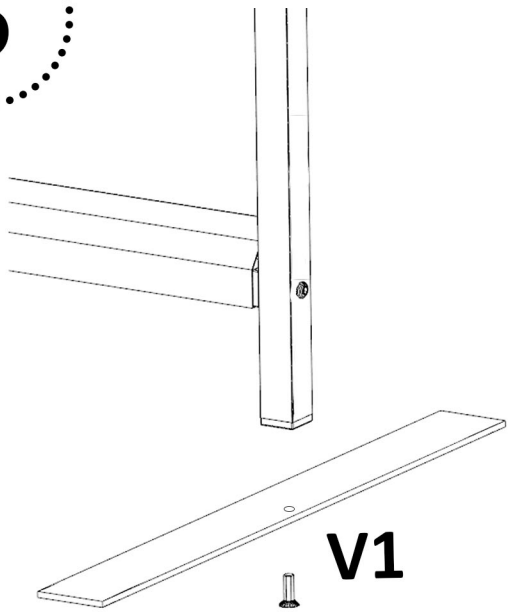


4



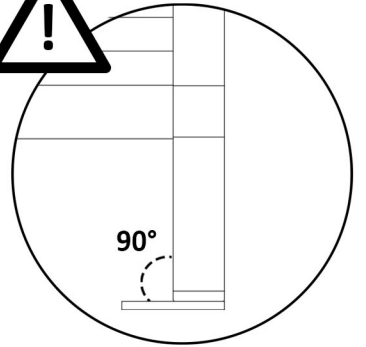
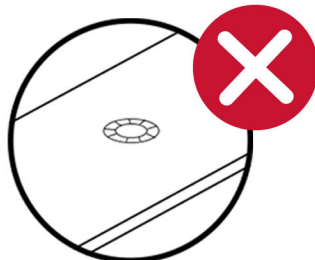
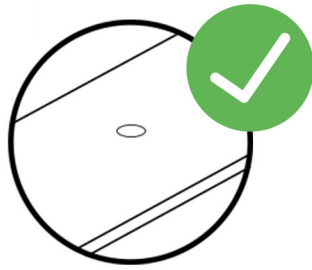
V2

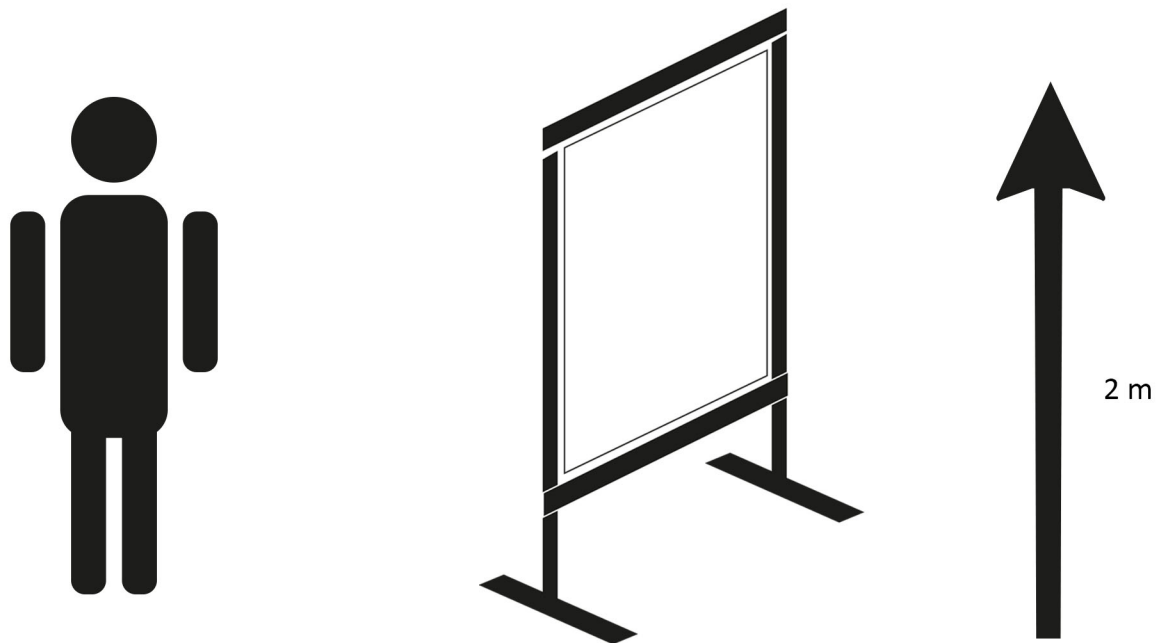
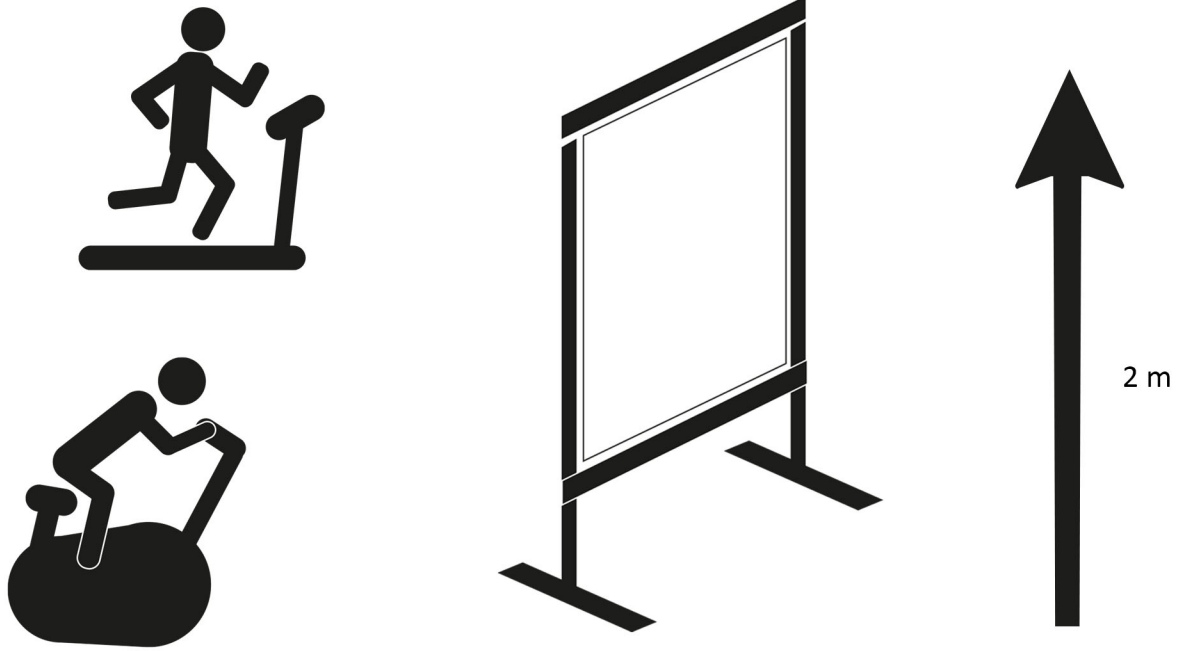
5



C1

V1







LOSBERGER DE BOER

**ldbshop.com**  
**contact@ldbshop.com**  
**+33 (0)3 88 59 34 00**